

NOTES:

1. Member will be responsible for digging ditch and installing wire in conduit with elbow. Minimum depth of 30”.
2. Co-op will furnish the Underground Meter Base and the length of wire from the transformer to the meter base. (*Maximum allowance from transformer to meter base = 250’*)
3. Member to install up to 18” above ground level with threaded nipple.

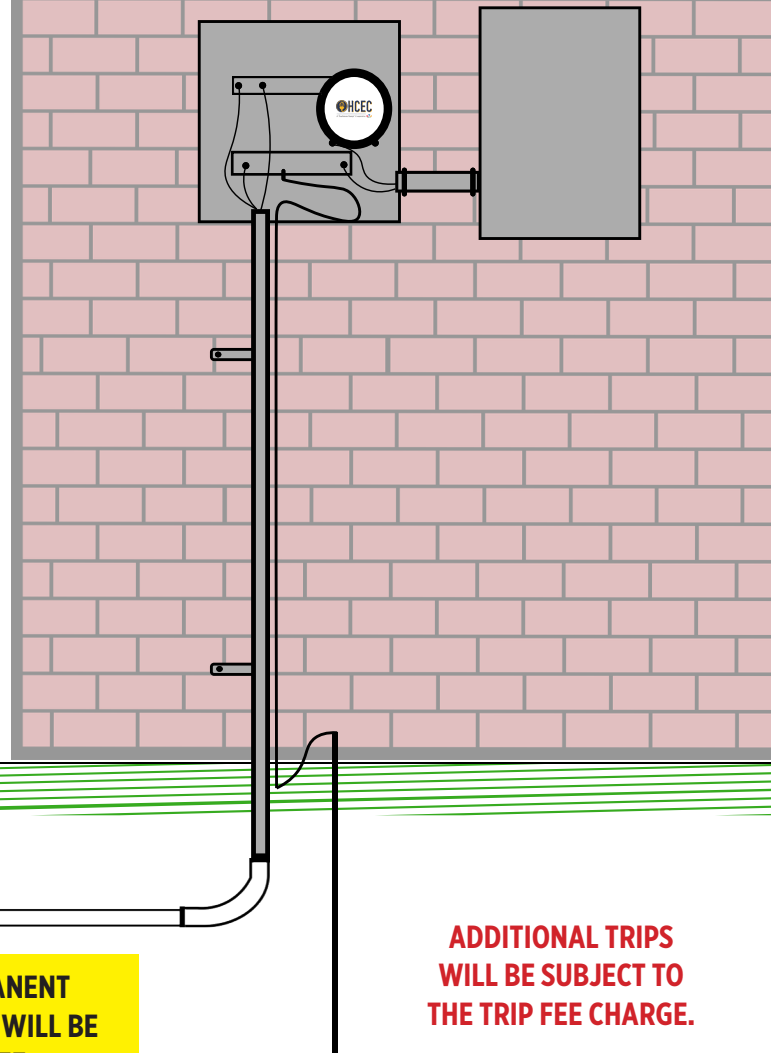
WHAT TO DO:

- Once your trench is dug and your meter base is installed, please contact the HCEC office so that someone can measure for the length of wire. *** Leave PVC elbow exposed for serviceman to inspect.
- Our warehouse will cut the UG wire and have it available in the warehouse to pickup from 7:30 AM until 3:00 PM Mon - Fri (Customer needs to verify wire is available before traveling to warehouse)
- Member is responsible for pulling wire through pipe and making all connections in member’s meter base/breaker box. Once that is complete and outlets have been trimmed out, please call 936-544-5641 so that a serviceman can make the final connections at the transformer and install the electric meter.

Furnished by HCEC: A maximum of 250’ of UG service wire from transformer to meter base, UG meter base, & 2 ½” conduit up the transformer pole.

For any questions, please contact HCEC at 936-544-5641.

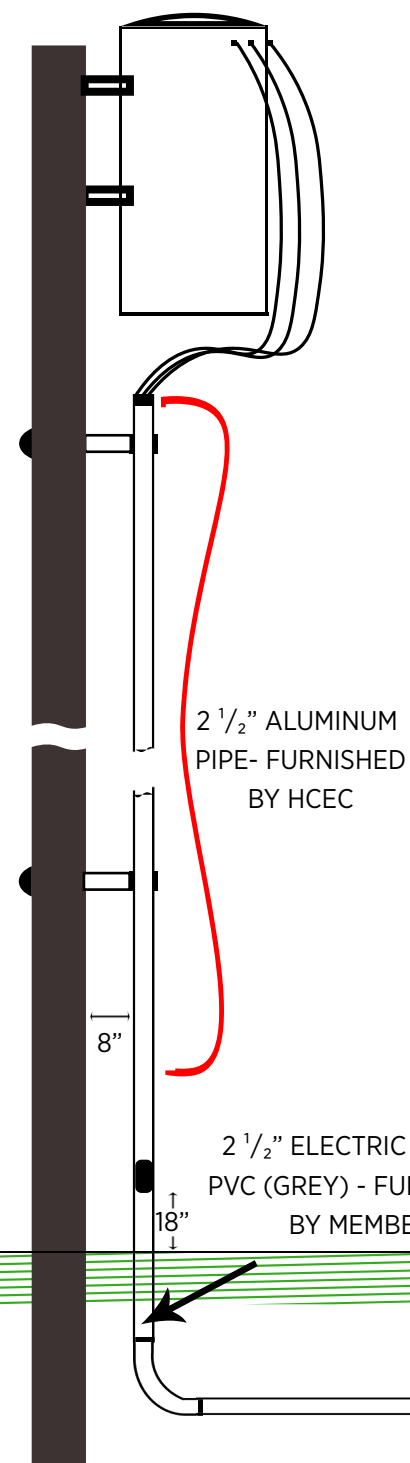
**UNDERGROUND SERVICE
WALL OF STRUCTURE
200 AMP
936-544-5641**



**ADDITIONAL TRIPS
WILL BE SUBJECT TO
THE TRIP FEE CHARGE.**

**maximum UG wire length allowed: 250’
(from transformer to meter base)**

**PLEASE NOTE: IF YOU ARE UPGRADING FROM PERMANENT
OVERHEAD SERVICE TO UNDERGROUND SERVICE, YOU WILL BE
SUBJECT TO THE SECONDARY SERVICE CHANGE FEE.**





A Touchstone Energy® Cooperative

UNDERGROUND SERVICE METER RACK/PEDESTAL

200 AMP

936-544-5641

NOTES:

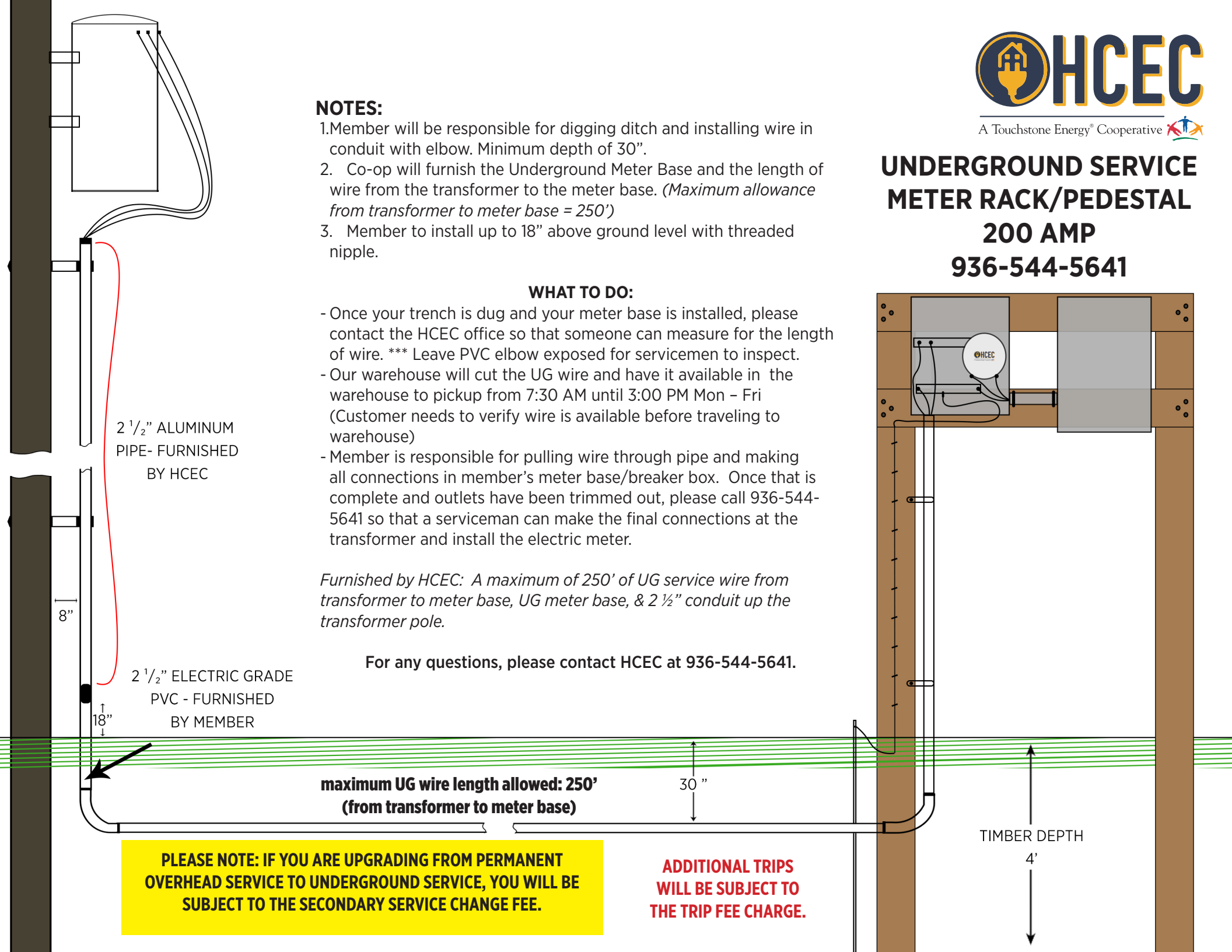
1. Member will be responsible for digging ditch and installing wire in conduit with elbow. Minimum depth of 30".
2. Co-op will furnish the Underground Meter Base and the length of wire from the transformer to the meter base. (*Maximum allowance from transformer to meter base = 250'*)
3. Member to install up to 18" above ground level with threaded nipple.

WHAT TO DO:

- Once your trench is dug and your meter base is installed, please contact the HCEC office so that someone can measure for the length of wire. *** Leave PVC elbow exposed for servicemen to inspect.
- Our warehouse will cut the UG wire and have it available in the warehouse to pickup from 7:30 AM until 3:00 PM Mon - Fri (Customer needs to verify wire is available before traveling to warehouse)
- Member is responsible for pulling wire through pipe and making all connections in member's meter base/breaker box. Once that is complete and outlets have been trimmed out, please call 936-544-5641 so that a serviceman can make the final connections at the transformer and install the electric meter.

Furnished by HCEC: A maximum of 250' of UG service wire from transformer to meter base, UG meter base, & 2 1/2" conduit up the transformer pole.

For any questions, please contact HCEC at 936-544-5641.



2 1/2" ALUMINUM PIPE- FURNISHED BY HCEC

2 1/2" ELECTRIC GRADE PVC - FURNISHED BY MEMBER

maximum UG wire length allowed: 250' (from transformer to meter base)

30"

TIMBER DEPTH

4'

PLEASE NOTE: IF YOU ARE UPGRADING FROM PERMANENT OVERHEAD SERVICE TO UNDERGROUND SERVICE, YOU WILL BE SUBJECT TO THE SECONDARY SERVICE CHANGE FEE.

ADDITIONAL TRIPS WILL BE SUBJECT TO THE TRIP FEE CHARGE.